

# INSTRUCTION MANUAL

## SONANCE® INVISIBLE SERIES

### ENCLOSURE



## Introduction

Thank you for purchasing a Sonance Invisible Series Speaker enclosure. When properly installed, this enclosure will greatly reduce sound in adjacent areas, and enhance the overall sound quality of the Invisible Series Speakers. This enclosure is required for all open attic installations.

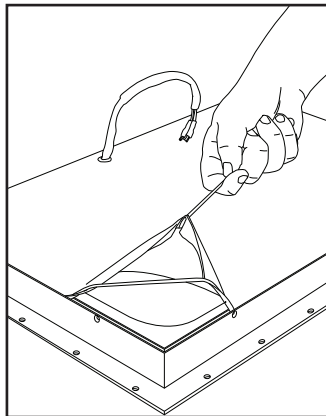
## Box Contents

1. Enclosure with acoustic damping material
2. Mounting screws

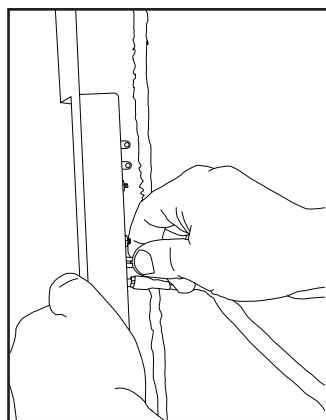
## Enclosure Installation

- 1) Layout IS speaker on a clean surface.

- 2) Remove and discard cloth backing of IS speaker and retaining O-ring.



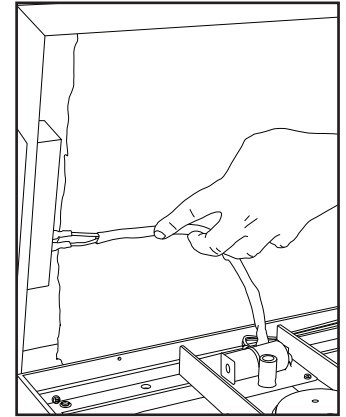
- 3) Position enclosure to the side of the IS speaker, connect leads to the enclosure.



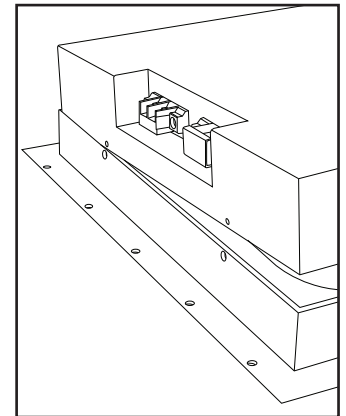
#### Note:

The Enclosure has two sets of leads (except IS2 model, which only has one set of leads) to be used with the IS4 SST. If using the IS4 or ISW only one set of leads will be used. Be sure to note which set is used.

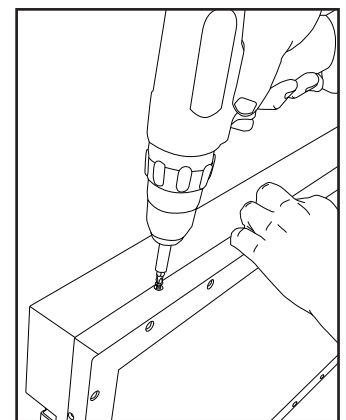
- 4) Tuck leads against the acoustic damping material to prevent the wires from touching the back of the speaker surface.



- 5) Place enclosure in the groove remaining from cloth removal.



- 6) Finish installation by screwing the enclosure to the speaker. Speaker is ready to install.



- 7) **TEST THE SPEAKER FOR 60 SECONDS WITH AN AMPLIFIED AUDIO SOURCE BEFORE COVERING WITH DRYWALL COMPOUND!**

This is the last point any wiring corrections can be made. After test is complete finish securing with remaining drywall screws.

©2012 Sonance. All rights reserved. Sonance is a registered trademarks of Dana Innovations. Due to continuous product improvement, all features and specifications are subject to change without notice.

For the latest Sonance product specification information visit our website: [www.sonance.com](http://www.sonance.com)

SONANCE • 991 Calle Amanecer • San Clemente, CA 92673 USA

(800) 582-7777 or (949) 492-7777 • FAX: (949) 361-5151

[www.sonance.com](http://www.sonance.com)

33-5746

Rev 05.10.17